

# FERRI<sup>®</sup>

Boom mowers for agriculture  
and green areas

**T470P**  
*SMART*



# T470P

SMART

T470P is the new boom mower designed for farmers as well as small contractors using a compact tractor. The new T470 is equipped with a 102° power slew and hydraulic break back.

In collaboration with IMAMOTER CNR institute, we achieved to reduce weight thanks to an innovative oil tank in polypropylene. A performing hydraulic system equipped with case iron pump guarantees productivity and reliability.

## Boom mowers for agriculture and green areas



The polypropylene oil tank is separated from the frame and allows it to be isolated from any structural stress. Fully recyclable.

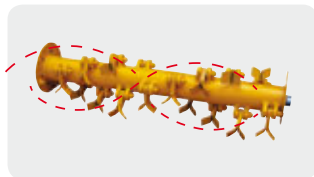
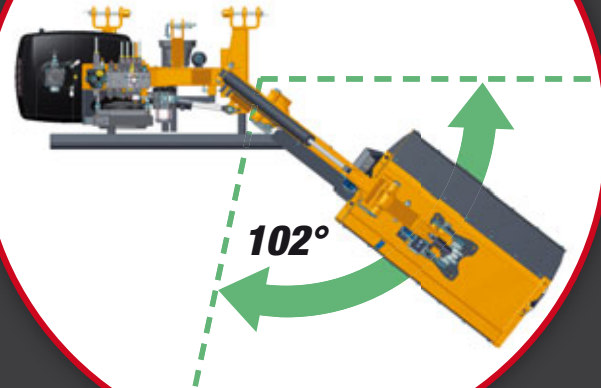


Developed and tested in collaboration with:



### Hydraulic breakaway

on power slew ram with max. relief valve (safeguards arm in case of obstacles)



“Overlap” spiral rotor with two spiral rows.



Flail head angle 230°



Cast iron hydraulic rotor pump group 3



classic Cable controls

# FERRI®



## IMPLEMENTS



**electra**

Electra: Mono lever  
electric controls



Cutter bar

## OPTIONAL



(Optional) Bumpers with  
illumination system.






# Boom mowers for agriculture and green areas





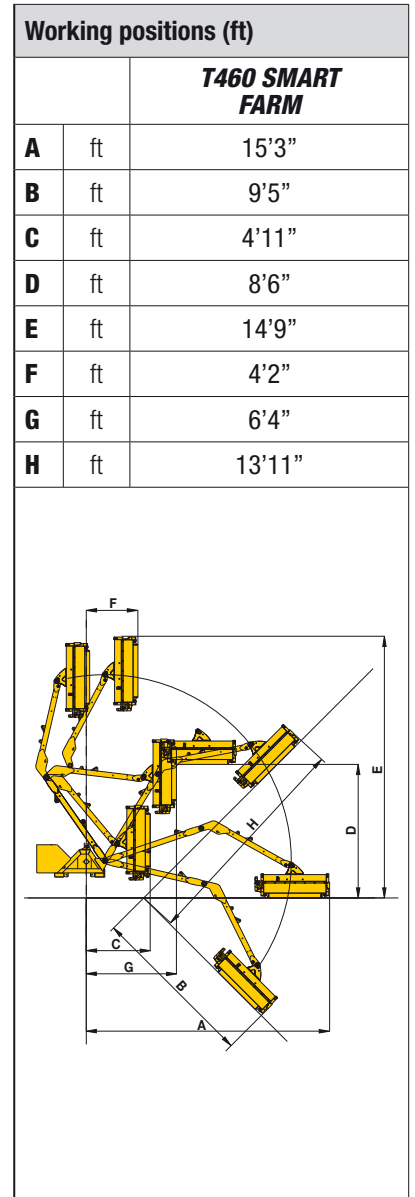
Technical data		T470P SMART
<b>Model</b>		<b>FARM</b>
Max horizontal reach*	ft	15'3"
3 Points Linkage	Cat.	II
Weight	lbs	1521
Oil	gal	31,7
P.t.o.	MAX Rpm	540

\* Reach measured from tractor centre line to head edge.

Flail head		T1100	 <p><b>T1100</b> Direct Drive Cast iron motor</p>
Width of cut	ft	3'3"	
Rotor speed	Rpm	3100	
Blade tip speed	ft/sec	196	
Flail head angle		230°	
Weight	lbs	385	
<b>Power available to the rotor</b>	<b>HP</b>	<b>35</b>	
<b>Power max to hydraulic motor</b>	<b>HP</b>	<b>45</b>	

Tractor						
<b>HP</b>		<b>50</b>	<b>60</b>	<b>70</b>	Min. Tractor weight	Min. Tractor width
<b>T470P SMART FARM</b>					4850 lbs	5'11" ft

Flails		N°
<b>T1100</b> Interchangeable on the same rotor		
"Y" blades for: grass, shrubs, sticks, woods	Ø max 1 1/4"	 36
"T" Hammer blades for: woods	Ø max 1 3/4"	 18



All data subject to change  
campbelladv.com 55613 T470P - USA - EN Rev.0 - 500

[www.ferri-america.com](http://www.ferri-america.com)



**FERRI srl**  
Via Govoni, 30  
44034 Tamara (FE) Italy  
Tel. +39 0532 866866  
Fax +39 0532 866851  
info@ferri-srl.it - www.ferri-srl.it



**Customer Service  
Sales & Marketing/FERRI:**  
Don Garner  
Vancouver, WA 98682  
tel. 360-281-3641  
d.garner@ferri-srl.it

**Parts Stock / FERRI:**  
J.S. Woodhouse Co., Inc.  
1314 Union Street  
P.O. Box 1169  
West Springfield, Ma. 01090 U.S.A.  
tel. 413-736-5462  
fax 413-732-3786  
info@jswoodhouse.com